

GZZ



Where **design, performance** and **lighting technology** become one.







# OZZ lights

**OZZ combines design, performance, and cutting-edge lighting technology to create extraordinary products. OZZ is a collective effort of five companies within Axel Johnson International, driven by creativity and innovation. With a focus on a seamless blend of aesthetics and functionality, OZZ ensures exceptional quality and performance in every product.**

## **A collective brand**

A collaborative approach was adopted when creating OZZ, uniting five companies with a shared purpose. The formation of the OZZ innovation team became the driving force behind the brand's creation, fostering creativity and advancement. OZZ has emerged as a collective brand, where design, performance, and lighting technology is united to create a unique product.

## **Where performance meets design**

By raising the bar and pushing boundaries, OZZ aims to deliver products that meet the evolving needs of customers. Design is a differentiating factor for OZZ, where aesthetics and functionality are seamlessly combined. The united companies behind OZZ each have a rich heritage of supplying vehicle components to the Nordic transport market. This combined knowledge creates a unique opportunity to create products based on the wants and needs of a broad customer segment.

## **An innovative approach**

OZZ aspires to be pioneers on the market and offer cutting-edge solutions to its customers. As a clear testament to this innovative approach OZZ was the first brand to introduce start-up positioning lights on the market. This feature has proven to be an immediate customer success. OZZ products are engineered for optimal functionality, ease of use, and durability, providing customers with a reliable and seamless experience.



## Optimal performance ensured in the Light Lab

In the realm of automotive lighting, technological advancements are instrumental in achieving optimal performance. As a prominent brand OZZ is dedicated to tech-driven innovation and design excellence, and aims to stand at the forefront of the car lighting industry. At the heart of OZZ's products lies its state-of-the-art Light Lab, a beacon of technological advancement and precision.

The Light Lab is equipped with cutting-edge tools and equipment that enable precise measurement of essential lighting parameters such as candela, lumen, lux and kelvin. Other critical metrics include power consumption and control of ECE. These precise measurements serve as the foundation for developing lighting devices that align with customers' expectations and deliver unparalleled performance. In the lab, every product can be evaluated according to its durability, visibility, and overall performance. This meticulous

testing process ensures that OZZ's lighting solutions meet the brand's high quality and performance standards. While OZZ initially gained recognition through its innovative lighting solutions, the Light Lab's capabilities extend beyond the confines of the brand. The lab offers a testing ground for a wide range of lighting products, enabling the company to explore various automotive lighting applications.

By harnessing the potential of the Light Lab, OZZ places customer experience at the forefront of its product development process. The lab's precise measurements and meticulous testing ensures that the OZZ products align with evolving customer preferences and expectations. The Light Lab ensures OZZ can deliver lighting products that prioritize performance and design, providing customers with exceptional lighting experiences.

---

**"The Light lab is necessary for us to maintain high quality and correct values for our products. We have full control and don't have to rely on third-party figures."**

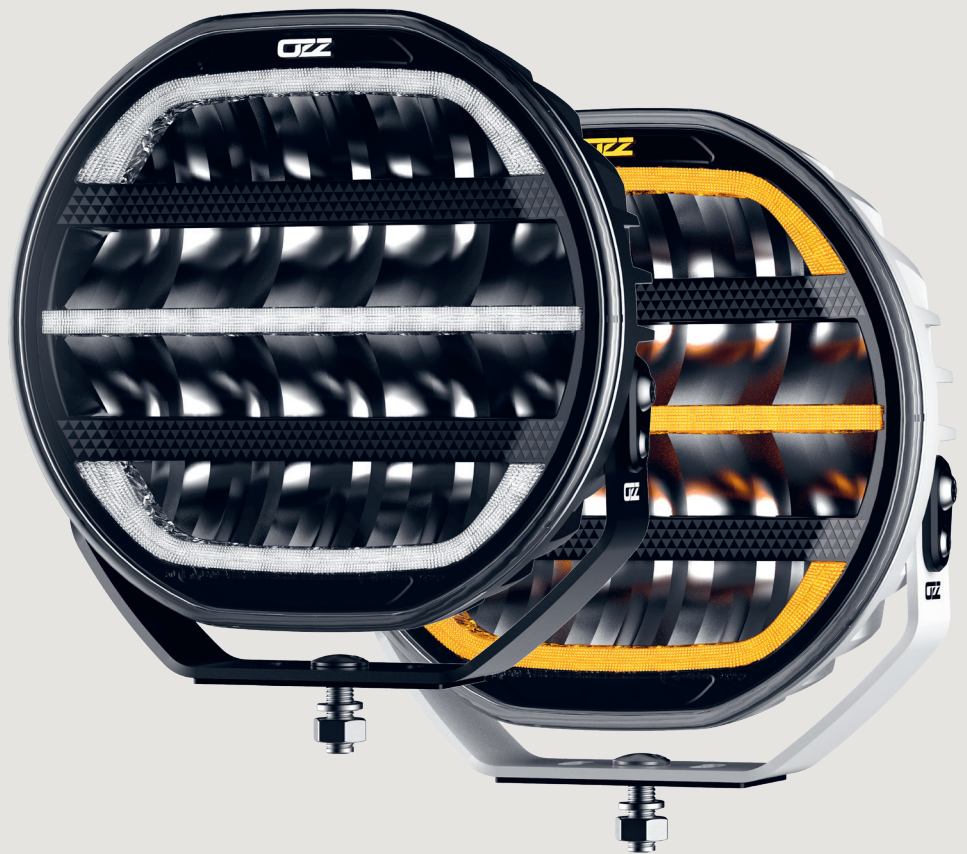
---







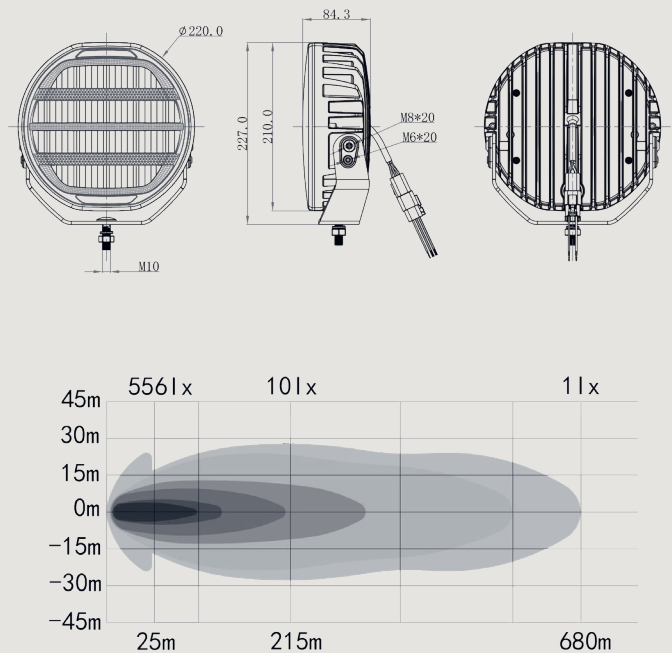


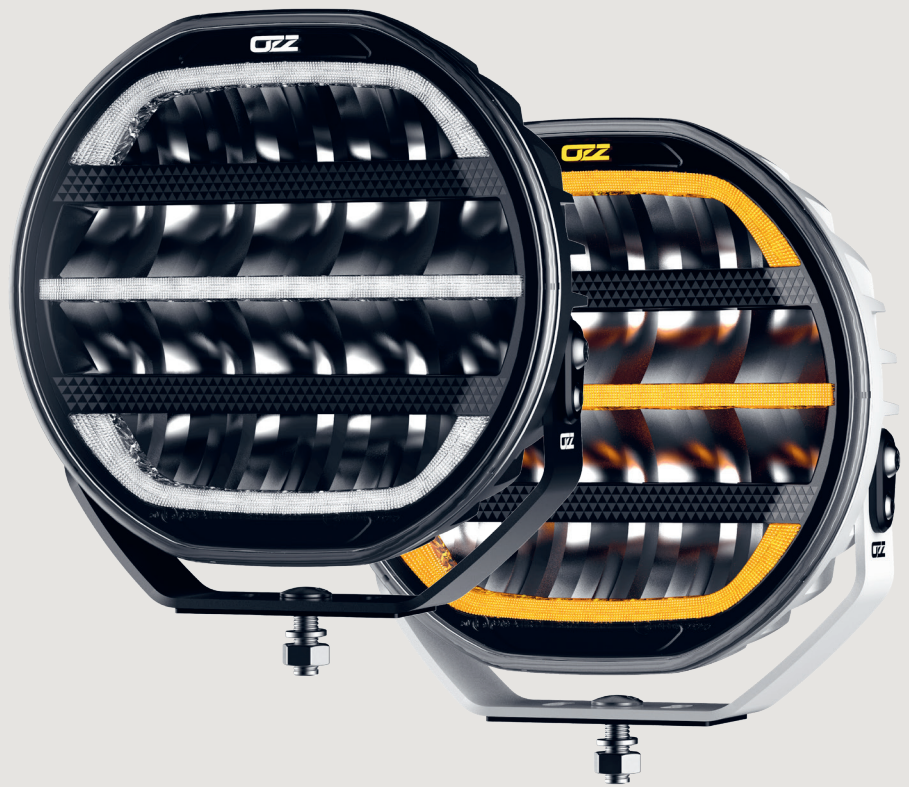


## OZZ XR2 P9"

Experience the power of light with OZZ XR2 P9". These 220 mm lights feature a dynamic start-up position light in white and orange. The innovative successor to the original OZZ light series offers a new prominent start-up pattern for an impressive visual effect upon ignition. With a boost function, the OZZ XR2 P9" emits 10 600 lumens, providing 1 lux at a distance of 680 meters. The driving beam pattern ensures optimal visibility with a wide and long-range reach. The lights have a color temperature of 5000 K, offering pleasant illumination in all conditions.

<b>Art. no.</b>	88101 (black), 88102 (white)
<b>Lamp type</b>	LED
<b>Diodes</b>	16 pcs
<b>Voltage</b>	10-35V DC
<b>Actual effect 12V</b>	R112: 74 W, boost: 134 W
<b>Actual effect 24V</b>	R112: 73 W, boost 130 W
<b>Nominal current at 12 V</b>	10.5 A
<b>Nominal current at 24 V</b>	5.2 A
<b>Theoretical lumen</b>	15000
<b>Actual lumen</b>	R112: 7010, boost: 10600
<b>1 lux @ (m)</b>	R112: 480, boost: 680
<b>Kelvin (K)</b>	5000
<b>IP-class</b>	IP68/IP69K
<b>Beam pattern</b>	driving
<b>Position light</b>	dynamic white & amber
<b>Connection</b>	4-pin DT male+female (1000 mm)
<b>Material chassi, lens</b>	aluminum, polycarbonate
<b>ØxDxH (mm)</b>	220x84,3x210/227
<b>Operating temperature</b>	-40 - +60°C
<b>E-mark approval</b>	R112, R7
<b>EMC</b>	ECE R10
<b>Ref. no.</b>	50
<b>Weight (kg)</b>	2,6
<b>Warranty</b>	3 years

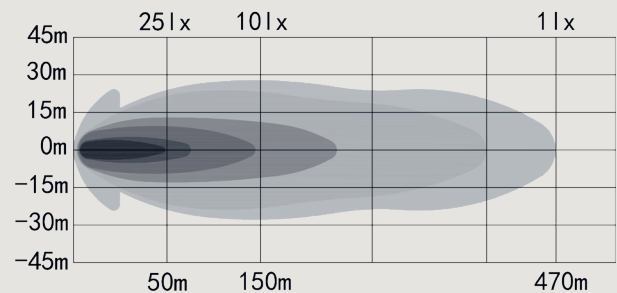
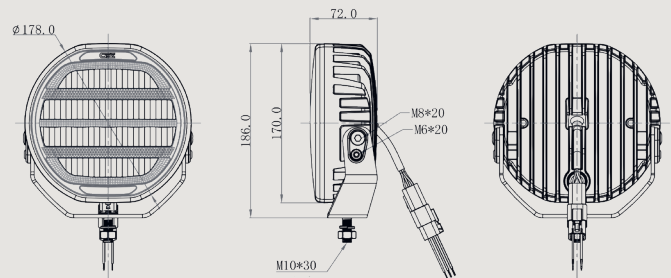




## OZZ XR2 P7"

Experience the power of light with OZZ XR2 P7". These 178 mm lights feature a dynamic start-up position light in white and orange. The innovative successor to the original OZZ light series offers a new prominent start-up pattern for an impressive visual effect upon ignition. With a boost function, the OZZ XR2 P7" emits 5800 lumens, providing 1 lux at a distance of 470 meters. The driving beam pattern ensures optimal visibility with a wide and long-range reach. The lights have a color temperature of 5000 K, offering pleasant illumination in all conditions.

<b>Art. no.</b>	88103 (black), 88104 (white)
<b>Lamp type</b>	LED
<b>Diodes</b>	16 pcs
<b>Voltage</b>	12-35V DC
<b>Actual effect 12V</b>	78 W
<b>Actual effect 24V</b>	75,6 W
<b>Nominal current at 12 V</b>	5.68 A
<b>Nominal current at 24 V</b>	2.6 A
<b>Theoretical lumen</b>	7200
<b>Actual lumen</b>	5800
<b>1 lux @ (m)</b>	470
<b>Kelvin (K)</b>	5000
<b>IP-class</b>	IP68/IP69K
<b>Beam pattern</b>	driving
<b>Position light</b>	dynamic white & amber
<b>Connection</b>	4-pin DT male+female (1000 mm)
<b>Material chassi, lens</b>	aluminum, polycarbonate
<b>ØxDxH (mm)</b>	178x72x170/186
<b>Operating temperature</b>	-40 - +60°C
<b>E-mark approval</b>	R112, R7
<b>EMC</b>	ECE R10
<b>Ref. no.</b>	50
<b>Weight (kg)</b>	2
<b>Warranty</b>	3 years



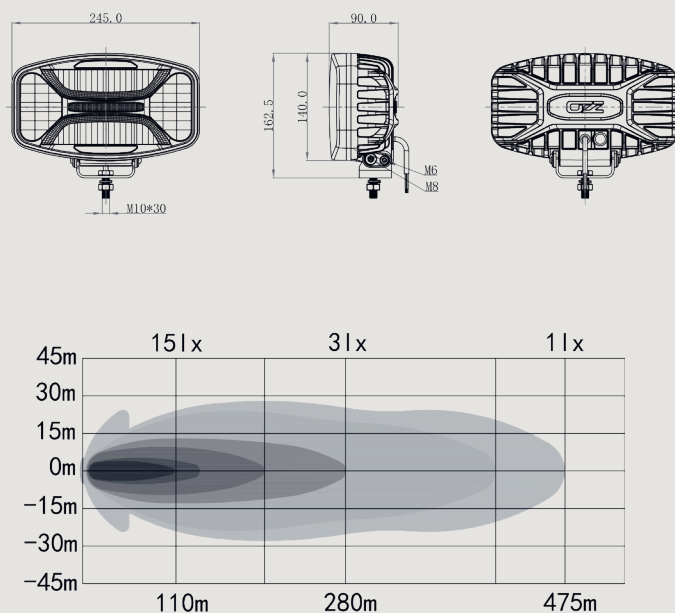


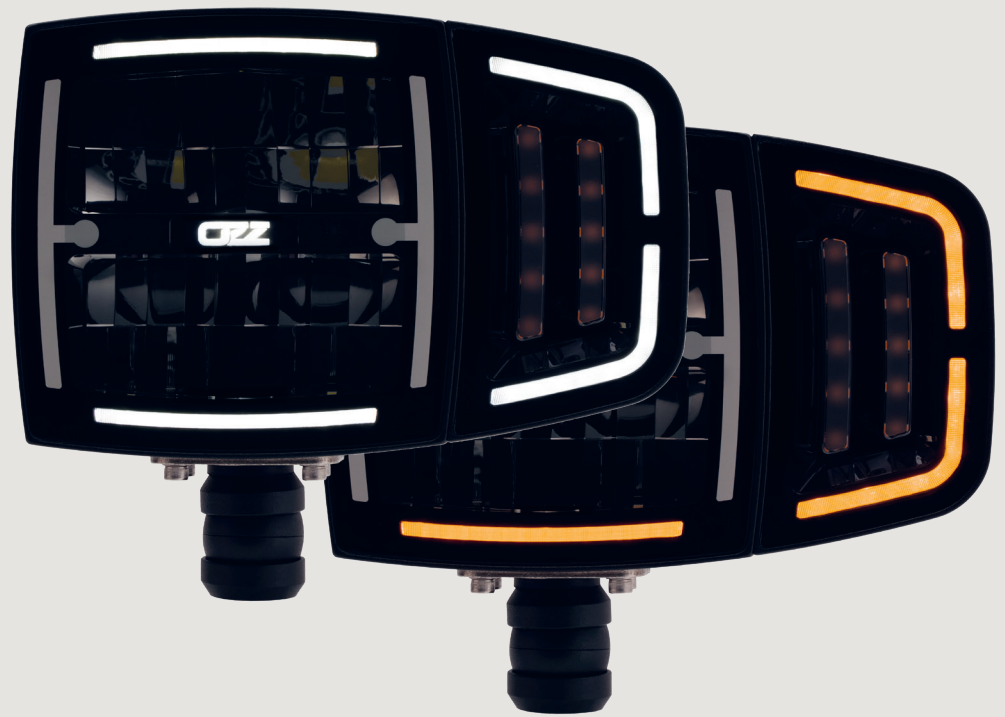


## OZZ X01 P

Experience the power of light with OZZ X01 P LED oval auxiliary lights. These 245 mm lights feature dynamic start-up position light in white and orange, adding a visually stunning effect during ignition. It also offers an integrated warning light in three different flash patterns; single, double and steady. With a brightness of 5100 lumens and 1 lux reaching up to 475 meters, these lights provide optimal visibility. The driving beam pattern ensures a wide and long-range reach. With a color temperature of 5000 K, it offers pleasant illumination in all conditions.

<b>Art. no.</b>	88105 (black), 88106 (white)
<b>Lamp type</b>	LED
<b>Diodes</b>	8 pcs
<b>Voltage</b>	10-35V DC
<b>Actual effect 12V</b>	95 W
<b>Actual effect 24V</b>	95 W
<b>Nominal current at 12 V</b>	7.2 A
<b>Nominal current at 24 V</b>	3.6 A
<b>Theoretical lumen</b>	8160
<b>Actual lumen</b>	5100
<b>1 lux @ (m)</b>	475
<b>Kelvin (K)</b>	5000
<b>IP-class</b>	IP68/IP69K
<b>Beam pattern</b>	driving
<b>Position light</b>	dynamic white & amber
<b>Connection</b>	6-pin DT male+female (1000 mm)
<b>Functions</b>	High beam, amber warning light
<b>Material chassi, lens</b>	aluminum, polycarbonate
<b>LxDxH (mm)</b>	245x90x140/162,5
<b>Operating temperature</b>	-40 - +60°C
<b>E-mark approval</b>	R112, R7, R65
<b>EMC</b>	ECE R10
<b>Ref. no.</b>	50
<b>Weight (kg)</b>	1,95
<b>Warranty</b>	3 years

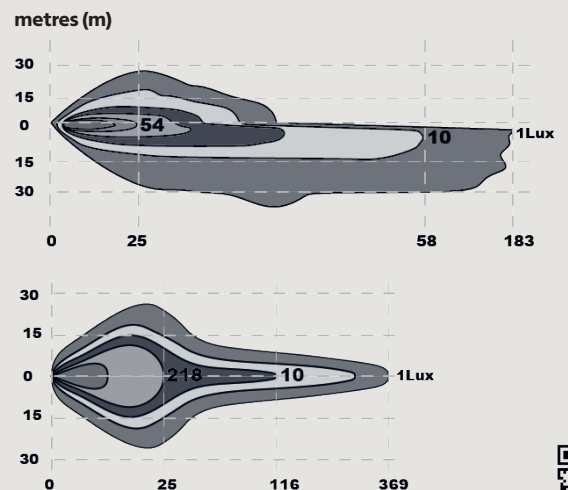
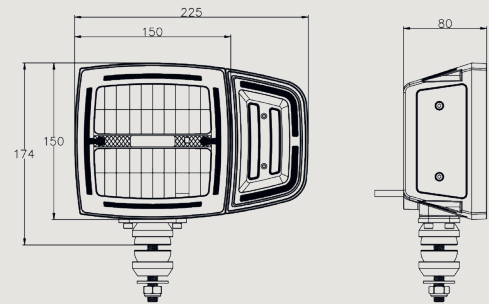




# OZZ XH1

Introducing OZZ XH1 – a headlight/snowplow lamp that redefines versatility. Emitting 1700 lumens in low beam and an impressive 3100 lumens in high beam, it's your go-to solution on the road. The automatic heated lens ensures clarity in all conditions, and with a 1 lux reach of 183 meters (low beam) and 365 meters (high beam), visibility is unmatched. OZZ XH1 seamlessly blends functionality with style, providing a natural 5000 K light. OZZ XH1 offers indicator and dual position light as well as universal mounting on either side of your vehicle. The side unit is easily adjustable based on your installation, thanks to its flexible and detachable design.

<b>Art. no.</b>	88301
<b>Lamp type</b>	LED
<b>Diodes</b>	49 pcs
<b>Voltage</b>	10-30V DC
<b>Actual effect 12V</b>	High beam: 48W, low beam: 22.8W, indicator: 12W, position light: 2.4W, heater: 30W
<b>Actual effect 24V</b>	High beam: 48W, low beam: 24W, indicator: 12W, position light: 2.4W, heater: 21.6W
<b>Nominal current at 12 V</b>	High beam: 4A, low beam: 1.9A, indicator: 1A, position light: 0.2A, heater: 2.5A
<b>Nominal current at 24 V</b>	High beam: 2.0A, low beam: 1.0A, indicator: 0.5A, position light: 0.1A, heater: 0.9A
<b>Theoretical lumen (Lm)</b>	Low beam: 2400, high beam: 4500
<b>Actual lumen</b>	Low beam: 1700, high beam: 3100
<b>1 lux @</b>	High beam: 365m, low beam: 183m
<b>Kelvin (K)</b>	5000
<b>IP-class</b>	IP68/IP69K
<b>Beam pattern</b>	driving
<b>Position light</b>	white and amber
<b>Connection</b>	6-pin DT
<b>Material chassi, lens</b>	aluminum, hardened glass
<b>Lenght, depth, height (mm)</b>	224,5, 80, 150
<b>Operating temperature</b>	-40 - +60°C
<b>E-mark approval</b>	R148 (R7, R6), R149 (R112)
<b>EMC</b>	ECE R10
<b>Ref. no.</b>	275
<b>Weight (kg)</b>	1,75
<b>Warranty</b>	3 years







**SITEK  
TRANSPORT**

*Puttush*

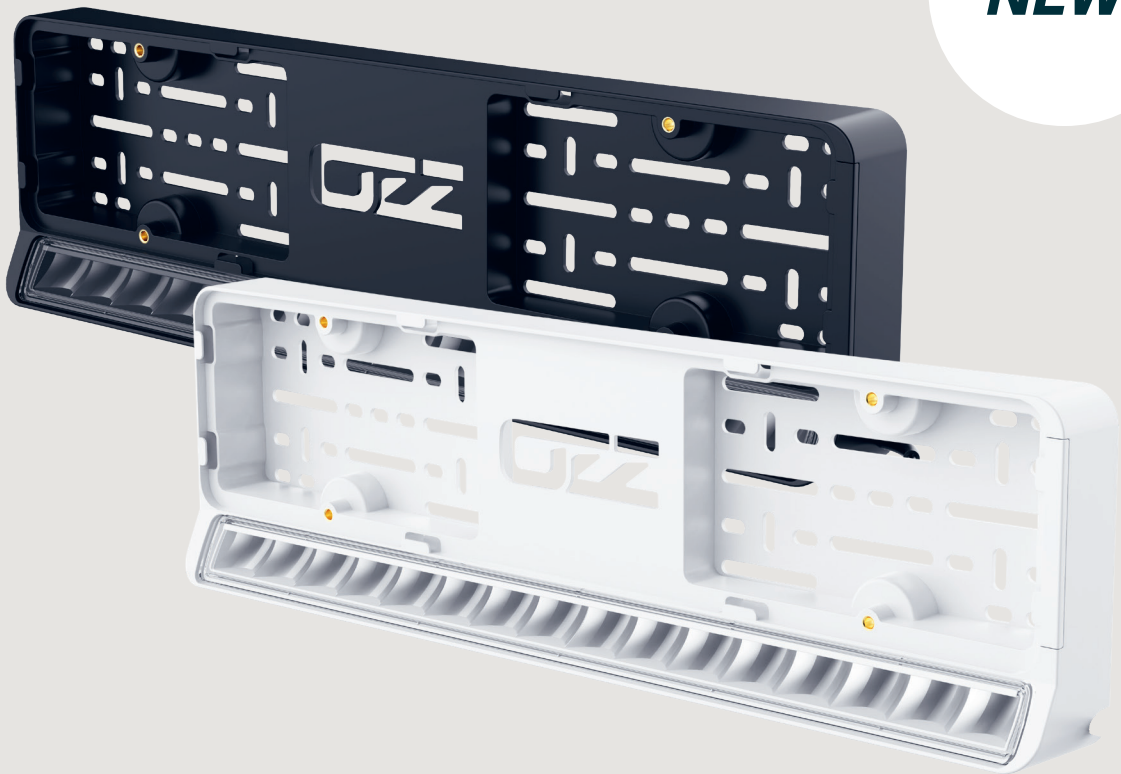
GZZ







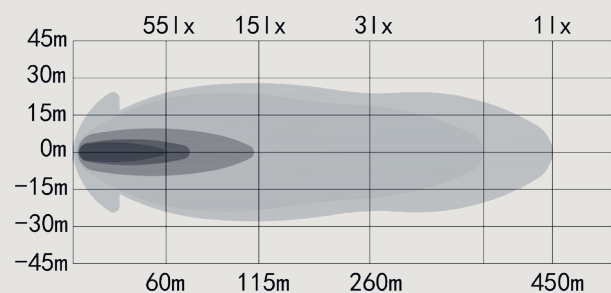
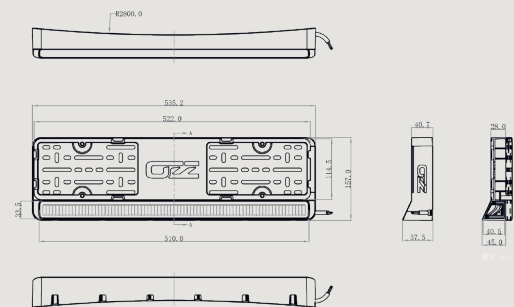
**NEW!**



## OZZ LP1

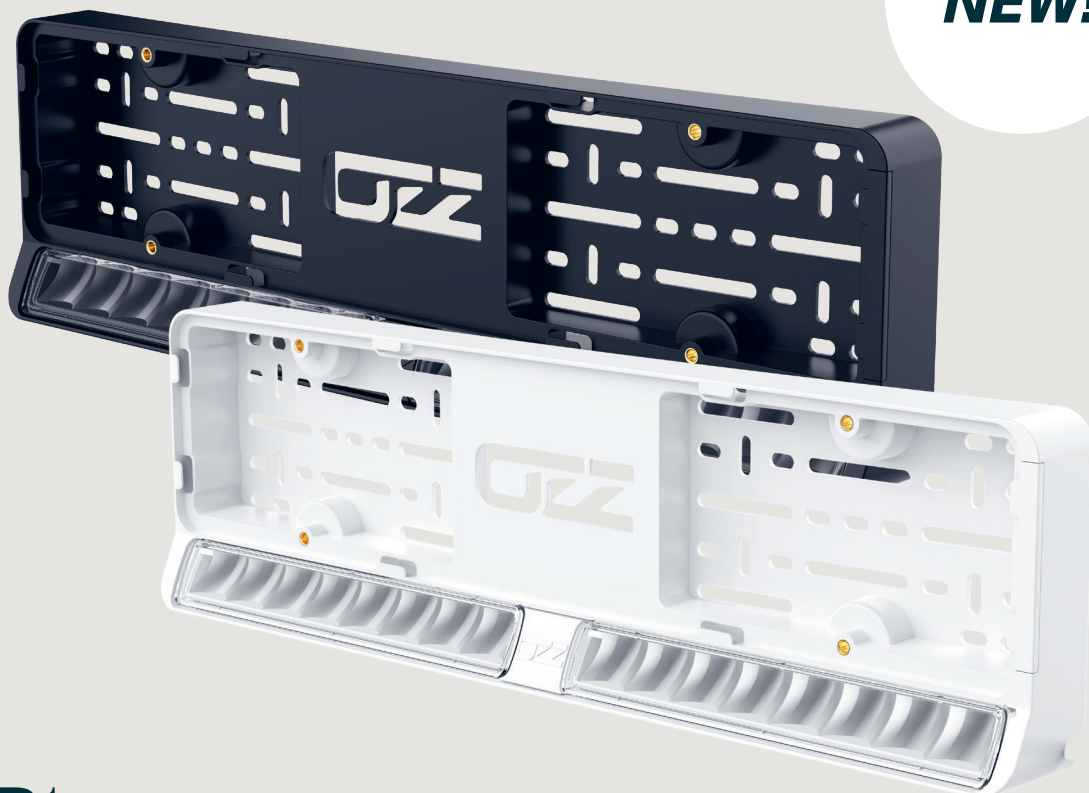
Discover the latest in auxiliary lighting with the OZZ LP1 LED Light Bar. Combining cutting-edge technology with sleek design. Seamlessly integrated into the included license plate holder, this LED bar combines style and functionality. Enjoy outstanding visibility with 1 lux at 450 meters, a warm 5000 Kelvin light temperature, and 4880 actual lumens. Say goodbye to cable hassles - LP1 comes pre-integrated for easy installation, with no impact on the vehicle - optimal for leased cars.

<b>Art. no.</b>	88216 (black), 88217 (white)
<b>Lamp type</b>	LED
<b>Diodes</b>	16 pcs
<b>Voltage</b>	10-32V DC
<b>Actual effect 12V</b>	88W
<b>Actual effect 24V</b>	88W
<b>Nominal current at 12V</b>	7,33 A
<b>Nominal current at 24V</b>	3,66 A
<b>Theoretical lumen</b>	9600
<b>Actual lumen</b>	4880
<b>1 lux @</b>	450 m
<b>Kelvin (K)</b>	5000
<b>IP-class</b>	IP68/IP69K
<b>Beam pattern</b>	Driving
<b>Position light</b>	No
<b>Connection</b>	3 pin DT male + female (2000 mm)
<b>Material chassi, lens, brackets</b>	Al, polycarbonate, stainless steel
<b>LxDxH (mm)</b>	535,2x40,7/57,5x157 mm
<b>Operating temperature</b>	-40°C - +60°C
<b>E-mark approval</b>	R112
<b>Ref.no.</b>	2x 25
<b>EMC</b>	ECE R10
<b>Weight (kg)</b>	1,5
<b>Warranty</b>	3 years





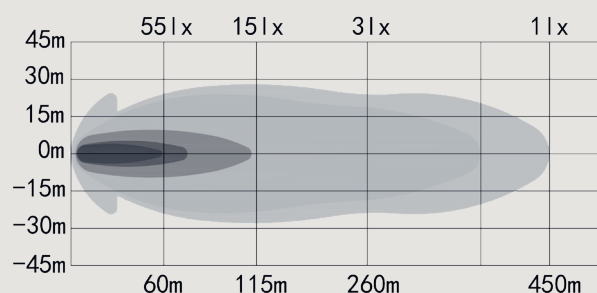
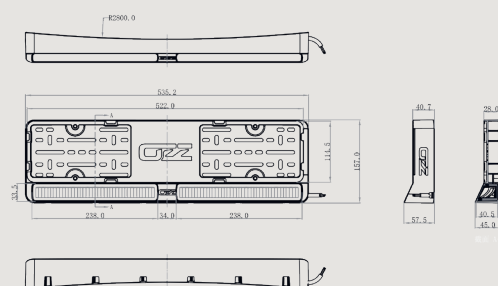
**NEW!**

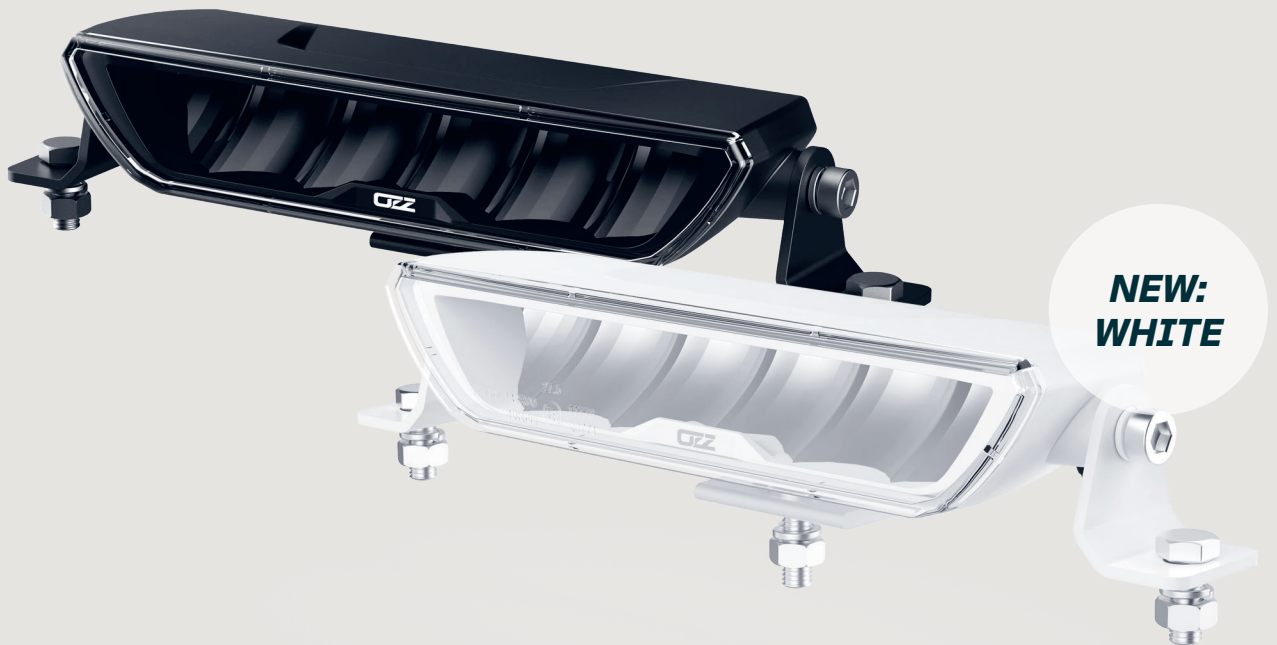


## OZZ DLP1

The OZZ DLP1 is OZZ's modern two-piece LED lightbar. With state-of-the-art technology and sleek design. Seamlessly integrated into the included license plate holder, this LED bar combines style and functionality. Enjoy outstanding visibility with 1 lux at 450 meters, a warm 5000 Kelvin light temperature, and 4880 actual lumens. Say goodbye to cable hassles - DLP1 comes pre-integrated for easy installation, with no impact on the vehicle - optimal for leased cars.

<b>Art. no.</b>	88219 (black), 88220 (white)
<b>Lamp type</b>	LED
<b>Diodes</b>	16 pcs
<b>Voltage</b>	10-32V DC
<b>Actual effect 12V</b>	88W
<b>Actual effect 24V</b>	88W
<b>Nominal current at 12V</b>	7,33 A
<b>Nominal current at 24V</b>	3,66 A
<b>Theoretical lumen</b>	9600
<b>Actual lumen</b>	4880
<b>1 lux @</b>	450 m
<b>Kelvin (K)</b>	5000
<b>IP-class</b>	IP68/IP69K
<b>Beam pattern</b>	Driving
<b>Position light</b>	No
<b>Connection</b>	3 pin DT male + female (2000 mm)
<b>Material chassi, lens, brackets</b>	Al, polycarbonate, stainless steel
<b>LxDxH (mm)</b>	535,2x40,7/57,5x157 mm
<b>Operating temperature</b>	-40°C - +60°C
<b>E-mark approval</b>	R112
<b>Ref.no.</b>	2x 25
<b>EMC</b>	ECE R10
<b>Weight (kg)</b>	1,5
<b>Warranty</b>	3 years

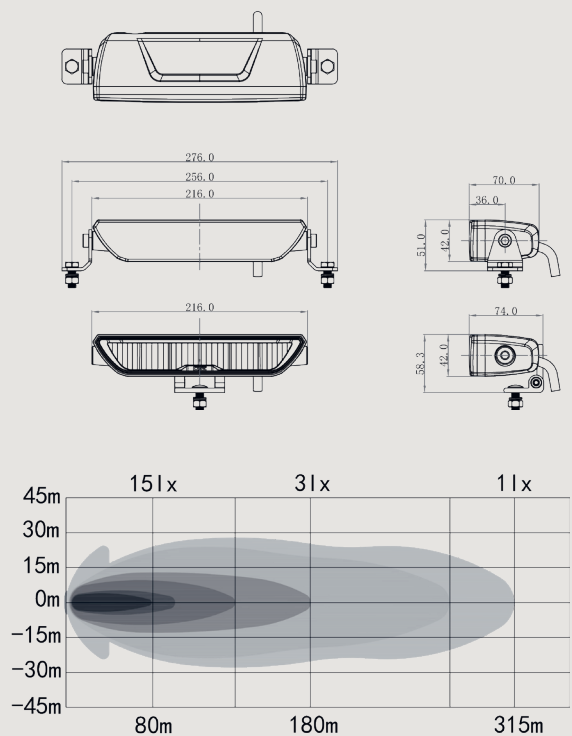




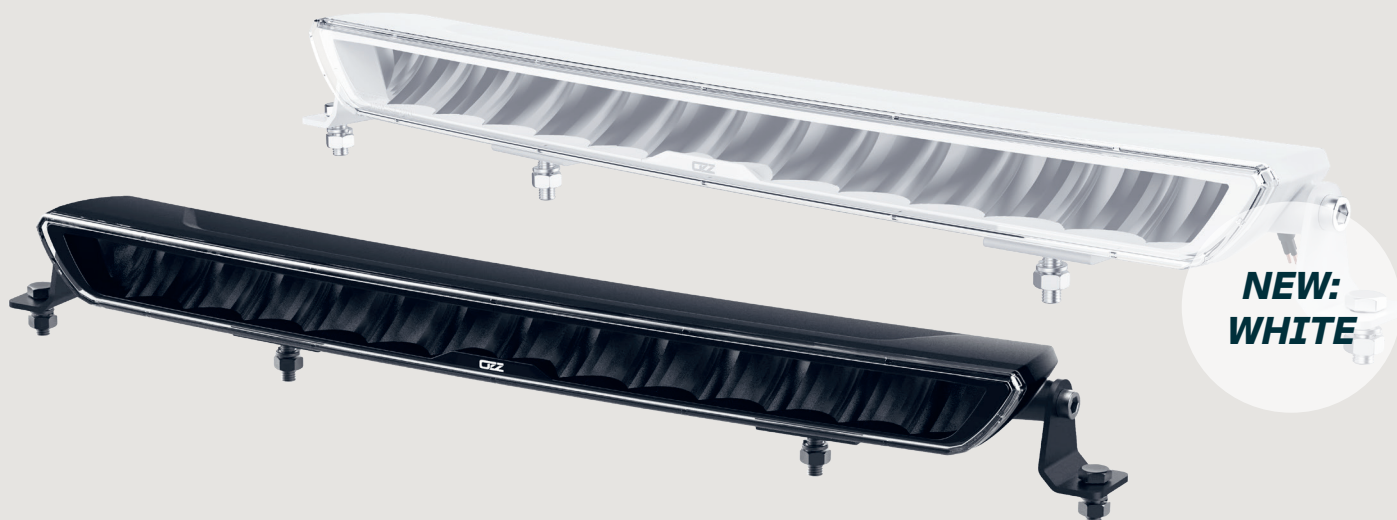
## OZZ XB1 8"

Transform your driving experience with OZZ XB1 8" LED light bar. This innovative light bar features wandering start-up diodes, creating a visual effect during ignition. The slim design adds a modern aesthetic to your vehicle. This 228 mm light bar delivers 3100 lumens, providing 1 lux at a distance of 315 meters. The driving beam pattern ensures optimal visibility with a wide and long-range reach. The light has a color temperature of 5000 K, offering pleasant illumination in all conditions.

<b>Art. no.</b>	88204 (black), 88211 (white)
<b>Lamp type</b>	LED
<b>Diodes</b>	6 pcs
<b>Voltage</b>	10-32V DC
<b>Actual effect 12V</b>	42W
<b>Actual effect 24V</b>	42W
<b>Nominal current at 12V</b>	3.3 A
<b>Nominal current at 24V</b>	1.65 A
<b>Theoretical lumen</b>	4960
<b>Actual lumen</b>	3100
<b>1 lux @</b>	315 m
<b>Kelvin (K)</b>	5000
<b>IP-class</b>	IP68/IP69K
<b>Beam pattern</b>	driving
<b>Position light</b>	no
<b>Connection</b>	3-pin DT male+female (1000 mm)
<b>Material chassi, lens</b>	aluminum, polycarbonate
<b>LxDxH</b>	216x70x42 mm
<b>Operating temperature</b>	-40 - +60°C
<b>E-mark approval</b>	R112
<b>EMC</b>	ECE R10
<b>Ref. no.</b>	27,5
<b>Weight (kg)</b>	0,54
<b>Warranty</b>	3 years



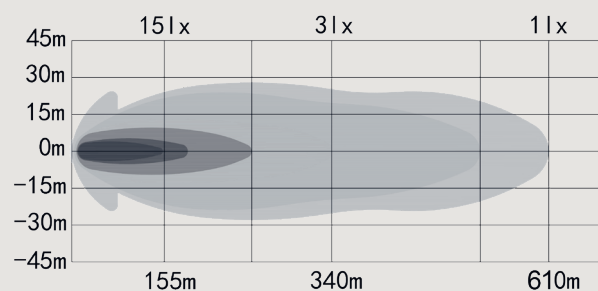
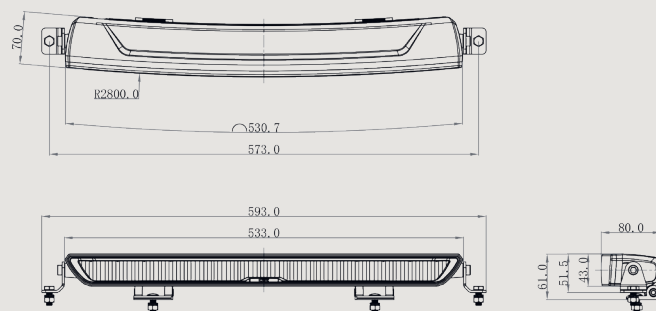




## OZZ XB1 20"

Transform your driving experience with OZZ XB1 20" LED light bar. This innovative light bar features wandering start-up diodes, creating a visual effect during ignition. The slim design adds a modern aesthetic to your vehicle. This 533 mm light bar delivers 7000 actual lumens, providing 1 lux at a distance of 610 meters in boost mode. The driving beam pattern ensures optimal visibility with a wide and long-range reach. The light has a color temperature of 5000 K, offering pleasant illumination in all conditions.

<b>Art. no.</b>	88202 (black), 88218 (white)
<b>Lamp type</b>	LED
<b>Diodes</b>	14 pcs
<b>Voltage</b>	10-32V DC
<b>Actual effect 12V</b>	R112: 77W, boost: 98W
<b>Actual effect 24V</b>	R112: 72W, boost: 109W
<b>Nominal current at 12V</b>	R112: 6,39 A boost: 8,14 A
<b>Nominal current at 24V</b>	R112: 3,01 A boost: 4,54 A
<b>Theoretical lumen</b>	11200
<b>Actual lumen</b>	R112: 4900, boost: 7000
<b>1 lux @</b>	R112: 480 m, boost: 610 m
<b>Kelvin (K)</b>	5000
<b>IP-class</b>	IP68/IP69K
<b>Beam pattern</b>	driving
<b>Position light</b>	no
<b>Connection</b>	3-pin DT male+female (1000 mm)
<b>Material chassi, lens</b>	aluminum, polycarbonate
<b>LxDxH (mm)</b>	530,7/533x80x43
<b>Operating temperature</b>	-40 - +60°C
<b>E-mark approval</b>	R112
<b>EMC</b>	ECE R10
<b>Ref. no.</b>	50
<b>Weight (kg)</b>	1,21
<b>Warranty</b>	3 years





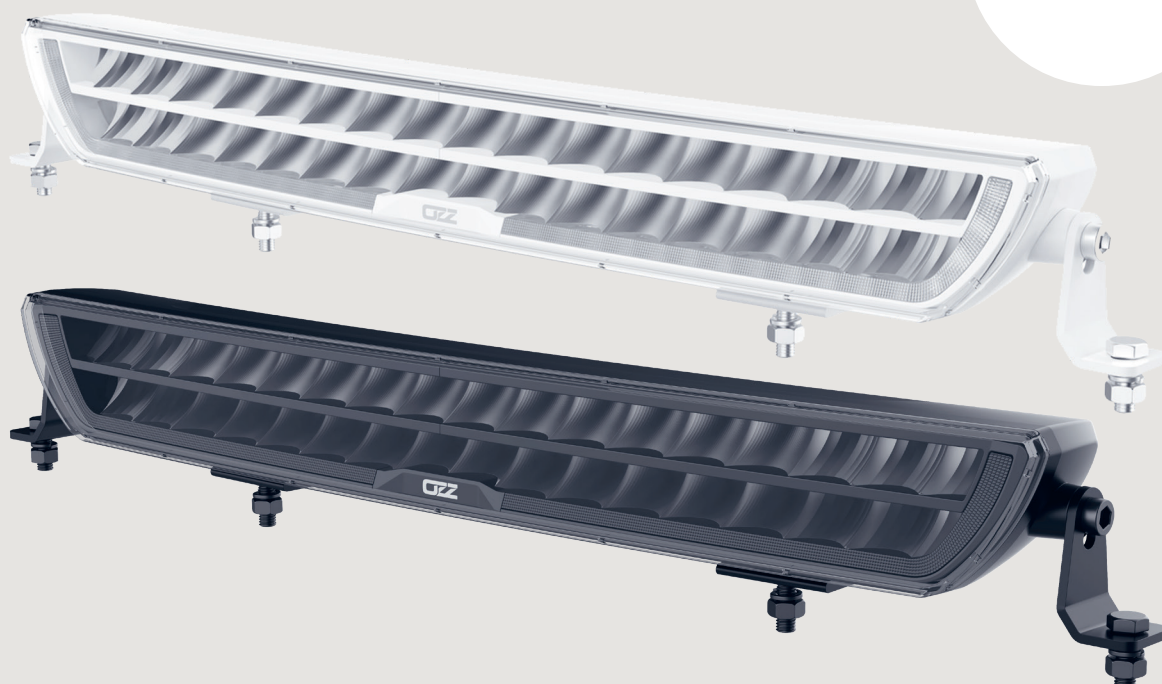








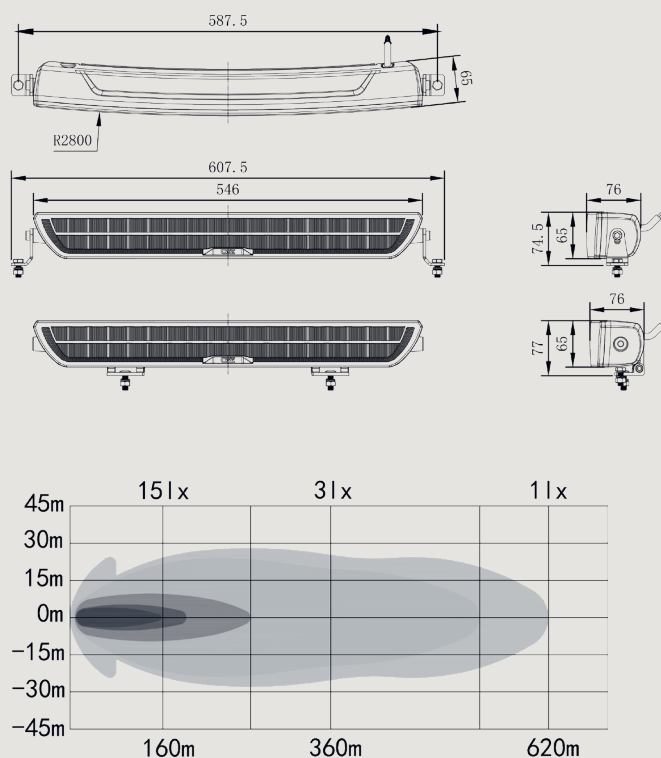
**NEW!**



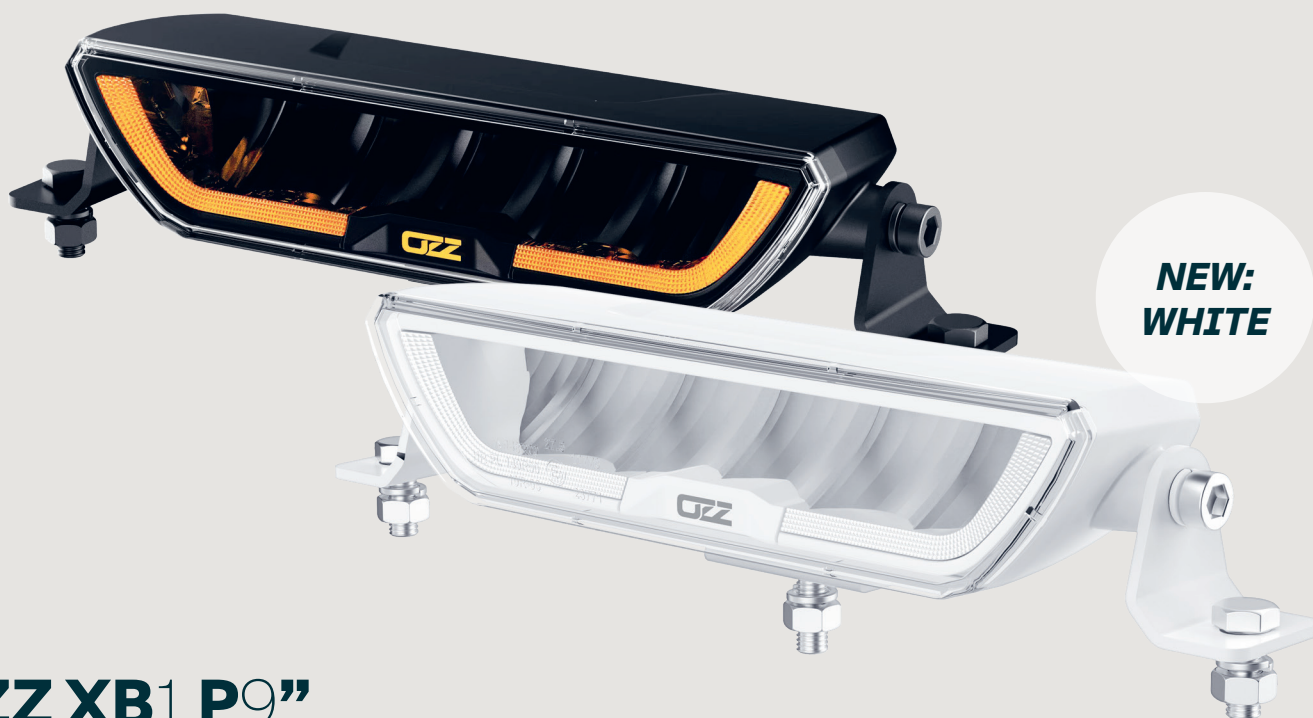
## OZZ DRB1 P20"

The OZZ DRB1 is a double row light bar designed for superior performance and durability. Featuring 34 high-performance diodes, it delivers impressive brightness with 9900 actual lumens in boost mode and 8070 in R112 mode, reaching up to 600 meters at 1 lux. This light bar combines a driving beam pattern with dynamic white and amber position lights for optimal visibility. It is built to withstand tough conditions with an IP68/IP69K rating and robust construction. Compliant with ECE R112 and EMC ECE R10 standards, the OZZ DRB1 enhances safety on your way forward. A reliable and great looking choice for enhancing your vehicle.

<b>Art. no.</b>	88209 (black), 88215 (white)
<b>Lamp type</b>	LED
<b>Diodes</b>	34 pcs
<b>Voltage</b>	10-32V DC
<b>Actual effect 12V</b>	Boost: 134W, R112: 106.2W
<b>Actual effect 24V</b>	Boost: 131.5W, R112: 103W
<b>Nominal current at 12V</b>	Boost: 11,16 A, R112: 8,85 A
<b>Nominal current at 24V</b>	Boost: 5,47 A, R112: 4,29 A
<b>Theoretical lumen</b>	18020
<b>Actual lumen</b>	Boost: 9900, R112: 8070
<b>1 lux @</b>	Boost: 620 m, R112: 480 m
<b>Kelvin (K)</b>	5000
<b>IP-class</b>	IP68/IP69K
<b>Beam pattern</b>	Driving
<b>Position light</b>	Dynamic white and amber
<b>Connection</b>	4 pin DT male + female (1000 mm)
<b>Material chassi, lens, brackets</b>	Aluminum, polycarbonate, stainless steel
<b>LxDxH (mm)</b>	546x76x65/77
<b>Operating temperature</b>	-40°C - +60°C
<b>E-mark approval</b>	R112
<b>Ref.no.</b>	50
<b>EMC</b>	ECE R10
<b>Weight (kg)</b>	3,1
<b>Warranty</b>	3 years



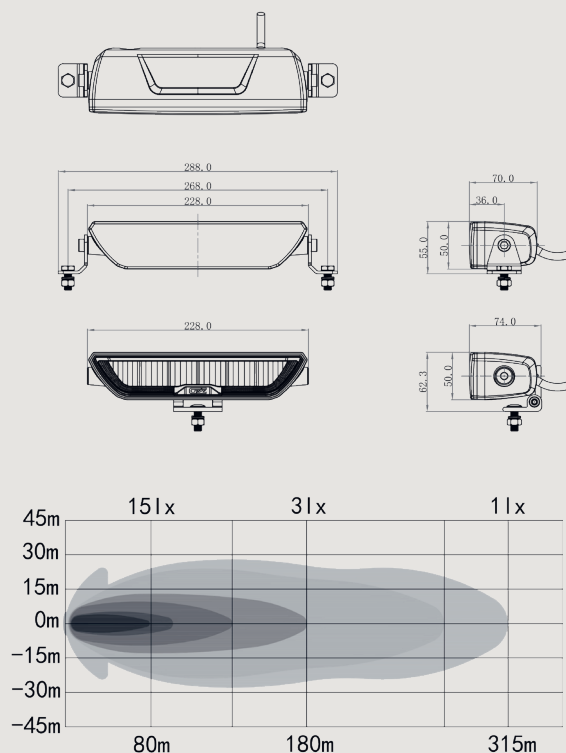




## OZZ XB1 P9"

Experience the power of light with OZZ XB1 P9" dynamic LED light bar. This innovative light bar features dynamic start-up position light in white and orange, creating a modern look for your vehicle. This 228 mm bar delivers 3100 lumens, providing 1 lux at a distance of 315 meters. The driving beam pattern ensures optimal visibility with a wide and long-range reach. The light has a color temperature of 5000 K, offering pleasant illumination in all conditions.

<b>Art. no.</b>	88203 (black), 88210 (white)
<b>Lamp type</b>	LED
<b>Diodes</b>	6 pcs
<b>Voltage</b>	10-32V DC
<b>Actual effect 12V</b>	42W
<b>Actual effect 24V</b>	42W
<b>Nominal current at 12V</b>	3.34 A
<b>Nominal current at 24V</b>	1.67 A
<b>Theoretical lumen</b>	4960
<b>Actual lumen</b>	3100
<b>1 lux @</b>	315 m
<b>Kelvin (K)</b>	5000
<b>IP-class</b>	IP68/IP69K
<b>Beam pattern</b>	driving
<b>Position light</b>	dynamic white & amber
<b>Connection</b>	4-pin DT male+female (1000 mm)
<b>Material chassi, lens</b>	aluminum, polycarbonate
<b>LxDxH</b>	228x70x50 mm
<b>Operating temperature</b>	-40 - +60°C
<b>E-mark approval</b>	R112, R7
<b>EMC</b>	ECE R10
<b>Ref. no.</b>	27,5
<b>Weight (kg)</b>	0,75
<b>Warranty</b>	3 years



## The **White Edition**

### ***Introducing OZZ White Edition LED Light Bars!***

OZZ is proud to be the first brand in the industry to offer a complete range of white light bars from 8 to 52 inches. Crafted with precision, every component is finished in sleek white, creating a seamless match for white or light-colored vehicles, while offering a bold contrast on darker ones.

Whether you want to stand out or blend in, OZZ white light bars provide cutting-edge technology and superior design. For us, enhanced security and sleek aesthetics go hand in hand!





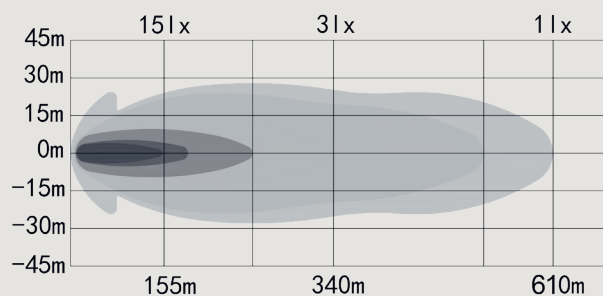
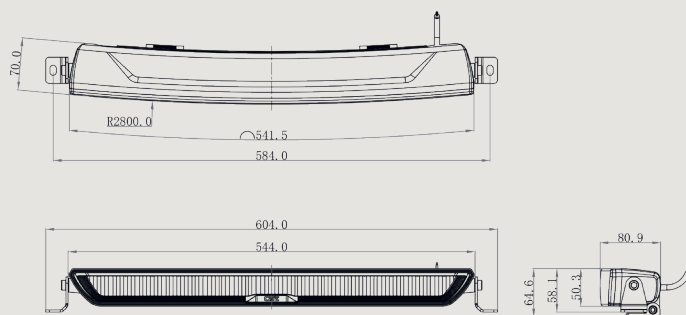




## OZZ XB1 P20"

Experience the power of light with OZZ XB1 P20" dynamic LED light bar. This innovative light bar features dynamic start-up position light in white and orange, creating a modern look for your vehicle. This 544 mm light bar delivers 7000 lumens, providing 1 lux at a distance of 590 meters. The driving beam pattern ensures optimal visibility with a wide and long-range reach. The light has a color temperature of 5000 K, offering pleasant illumination in all conditions. OZZ XB1 P20" is available in both black and white housing to perfectly complement your vehicle.

<b>Art. no.</b>	88201 (black), 88212 (white)
<b>Lamp type</b>	LED
<b>Diodes</b>	14 pcs
<b>Voltage</b>	10-32V DC
<b>Actual effect 12V</b>	R112: 77W, boost: 98W
<b>Actual effect 24V</b>	R112: 73W, boost: 109W
<b>Nominal current at 12V</b>	R112: 6,39 A, boost: 8,14 A
<b>Nominal current at 24V</b>	R112: 3,01 A, boost: 4,54A
<b>Theoretical lumen</b>	11200
<b>Actual lumen</b>	R112: 4900, boost: 7000
<b>1 lux @</b>	R112: 480 m, boost: 590 m
<b>Kelvin (K)</b>	5000
<b>IP-class</b>	IP68/IP69K
<b>Beam pattern</b>	driving
<b>Position light</b>	dynamic white & amber
<b>Connection</b>	4-pin DT male+female (1000 mm)
<b>Material chassi, lens</b>	aluminum, polycarbonate
<b>LxDxH (mm)</b>	541,5/544x80,9x50,3
<b>Operating temperature</b>	-40 - +60°C
<b>E-mark approval</b>	R112, R7,
<b>EMC</b>	ECE R10
<b>Ref. no.</b>	50
<b>Weight (kg)</b>	1,58
<b>Warranty</b>	3 years





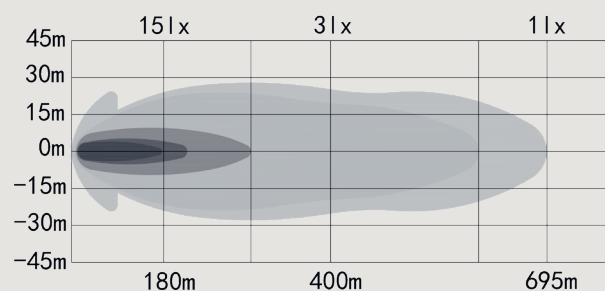
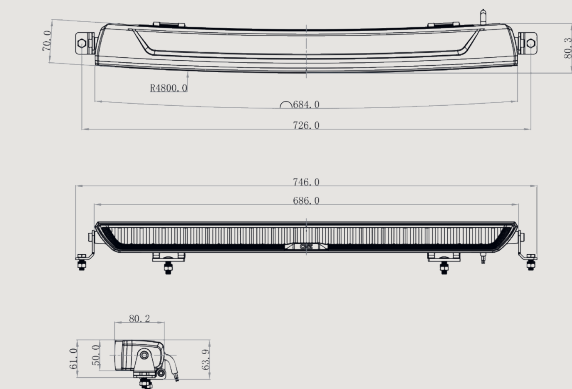
**NEW!**



## OZZ XB1 P27"

The OZZ XB1 P27" is a carefully engineered LED lightbar designed to enhance the safety and appearance of your vehicle in all driving situations. Designed to seamlessly integrate with OZZ's popular lighting range, the XB1 P27" features a modern design that easily complements your vehicle's aesthetic. This stylish led light bar delivers an impressive 7040 lumens and 9780 lumens in boost mode, ensuring exceptional visibility in all conditions. With a 1 lux range extending up to 695 metres, the XB1 P27" guarantees clarity, increasing your awareness of the road ahead. You can rest assured that this product has ECE R10 and R112 certifications and meets stringent regulatory standards for road safety. Choose between black or white design to best fit your vehicle!

<b>Art. no.</b>	88205 (black), 88206 (white)
<b>Lamp type</b>	LED
<b>Diodes</b>	18 pcs
<b>Voltage</b>	10-32V DC
<b>Actual effect 12V</b>	R112: 76W, boost: 133W
<b>Actual effect 24V</b>	R112: 75W, boost: 157W
<b>Nominal current at 12V</b>	R112: 6,35 A, boost: 11,05 A
<b>Nominal current at 24V</b>	R112: 3,13 A, boost: 6,54 A
<b>Theoretical lumen</b>	18000
<b>Actual lumen</b>	R112: 7040, boost: 9780
<b>1 lux @</b>	R112: 480 m, boost: 695 m
<b>Kelvin (K)</b>	5000
<b>IP-class</b>	IP68/IP69K
<b>Beam pattern</b>	Driving
<b>Position light</b>	Dynamic white and amber
<b>Connection</b>	4 pin DT male + female (2700 mm)
<b>Material chassi, lens, brackets</b>	Al, polycarbonate, stainless steel
<b>LxDxH (mm)</b>	686x80,2x50/61 mm
<b>Operating temperature</b>	-40°C - +60°C
<b>E-mark approval</b>	R112
<b>Ref.no.</b>	50
<b>EMC</b>	ECE R10
<b>Weight (kg)</b>	3
<b>Warranty</b>	3 years



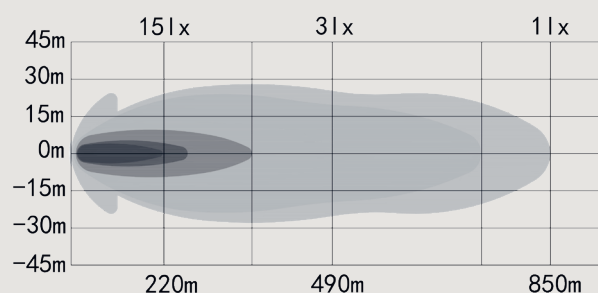
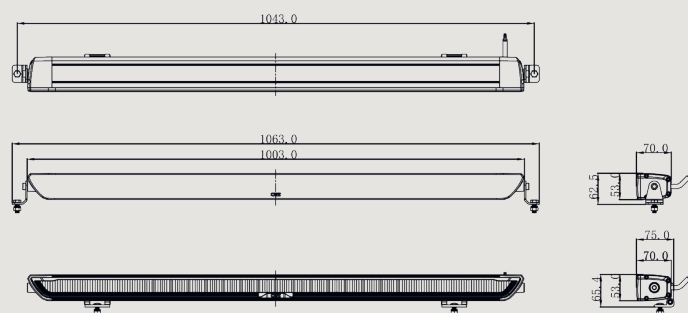
**NEW!**



## OZZ XB1 P40"

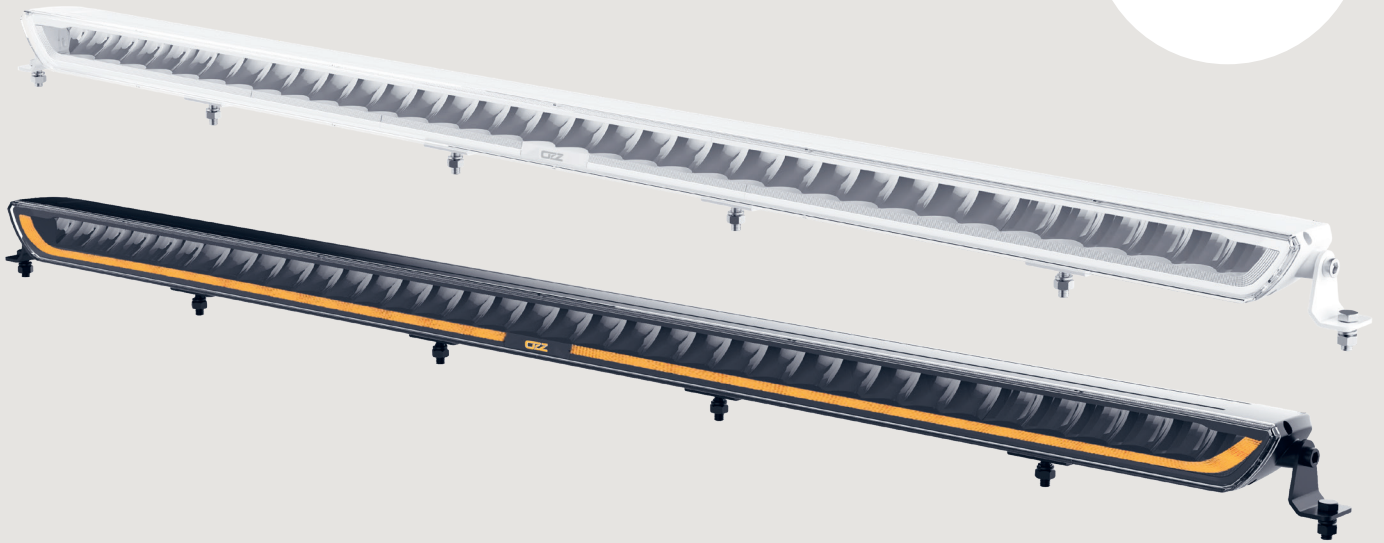
Introducing the OZZ XB1 P40" LED Light Bar, designed to boost your vehicle's safety and aesthetic appeal. This light bar integrates smoothly with OZZ's lighting range, offering both style and functionality. The XB1 P40" provides 10,800 lumens, boosting to 16,000 lumens, ensuring excellent visibility. It offers a 1 lux range reaching up to 480 meters, extending to 850 meters in boost mode. Constructed for durability, it features an aluminum chassi, polycarbonate lens, and stainless steel brackets, with an IP68/IP69K rating for superior water and dust resistance.

<b>Art. no.</b>	88207 (black), 88213 (white)
<b>Lamp type</b>	LED
<b>Diodes</b>	27 pcs
<b>Voltage</b>	10-32V DC
<b>Actual effect 12V</b>	R112: 80W, boost: 198W
<b>Actual effect 24V</b>	R112: 80W, boost: 198W
<b>Nominal current at 12V</b>	R112: 6,66 A, boost: 16,5 A
<b>Nominal current at 24V</b>	R112: 3,33 A, boost: 8,25 A
<b>Theoretical lumen</b>	27000
<b>Actual lumen</b>	R112: 10800, boost: 16000
<b>1 lux @</b>	R112: 480 m, boost: 850 m
<b>Kelvin (K)</b>	5000
<b>IP-class</b>	IP68/IP69K
<b>Beam pattern</b>	Driving
<b>Position light</b>	Dynamic white and amber
<b>Connection</b>	2 pin DTP male + female (2700 mm)
<b>Material chassi, lens, brackets</b>	Al, polycarbonate, stainless steel
<b>LxDxH (mm)</b>	1003x70x53 mm
<b>Operating temperature</b>	-40°C - +60°C
<b>E-mark approval</b>	R112
<b>Ref.no.</b>	50
<b>EMC</b>	ECE R10
<b>Weight (kg)</b>	5,8
<b>Warranty</b>	3 years





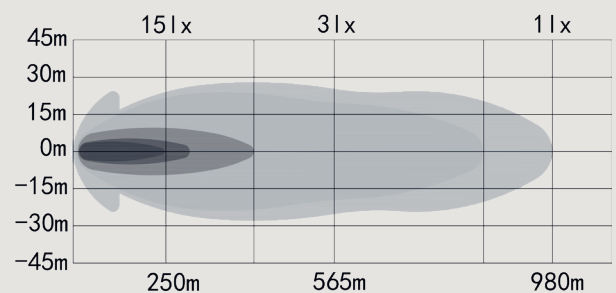
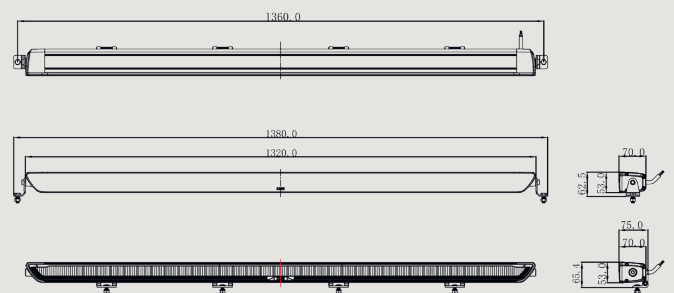
**NEW!**

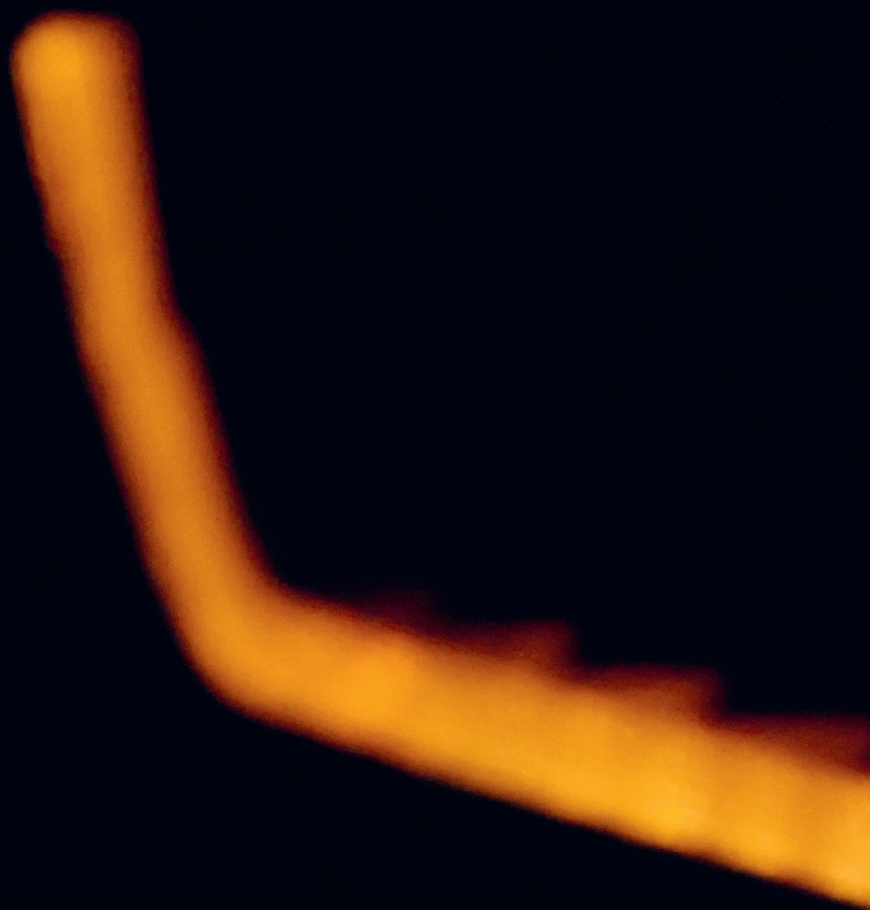


## OZZ XB1 P52"

OZZ XB1 P52" LED light bar is designed to boost safety and style in all driving conditions. Seamlessly integrating with OZZ's lighting range, the XB1 P52" offers a sleek, modern design that enhances any vehicle. This high-performance light bar delivers 14400 lumens and 19800 in boost mode. Its 1 lux range reaches up to 480 meters and 980 meters in boost mode, significantly improving road awareness. Built for durability, the XB1 P52" features aluminum housing, polycarbonate lens, and stainless steel brackets. Fully compliant with ECE R112 and R10 standards, this light bar guarantees safety and reliability, backed by a 3-year warranty.

<b>Art. no.</b>	88208 (black), 88214 (white)
<b>Lamp type</b>	LED
<b>Diodes</b>	36 pcs
<b>Voltage</b>	10-32V DC
<b>Actual effect 12V</b>	R112: 80W, boost: 265W
<b>Actual effect 24V</b>	R112: 80W, boost: 265W
<b>Nominal current at 12V</b>	R112: 6,66 A, boost: 22,08 A
<b>Nominal current at 24V</b>	R112: 3,33 A, boost: 11,04 A
<b>Theoretical lumen</b>	36000
<b>Actual lumen</b>	R112: 14400, boost: 19800
<b>1 lux @</b>	R112: 480 m, boost: 980 m
<b>Kelvin (K)</b>	5000
<b>IP-class</b>	IP68/IP69K
<b>Beam pattern</b>	Driving
<b>Position light</b>	Dynamic white and amber
<b>Connection</b>	2 pin DTP male + female (2000 mm)
<b>Material chassi, lens, brackets</b>	Al, polycarbonate, stainless steel
<b>LxDxH (mm)</b>	1320x70x53 mm
<b>Operating temperature</b>	-40°C - +60°C
<b>E-mark approval</b>	R112
<b>Ref.no.</b>	50
<b>EMC</b>	ECE R10
<b>Weight (kg)</b>	6
<b>Warranty</b>	3 years



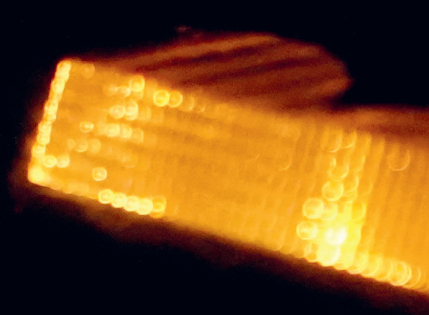


**The future** of lighting **today.**





GZ

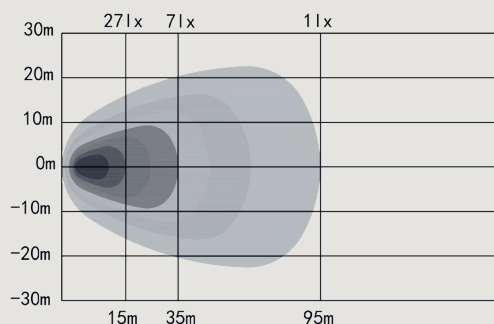
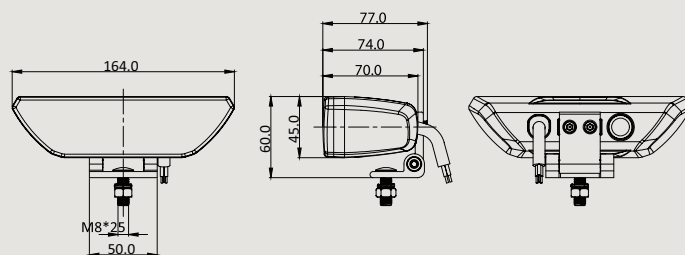




## OZZ WR1

Discover OZZ WR1, a prominent reverse light with ECE R23 certification. This lamp is designed to enhance safety for you and your vehicle in all conditions. Designed to harmonize with OZZ's other lighting range, the OZZ WR1 has a modern aesthetic that complements your vehicle. With 2220 lumens and 1 lux at a range of 95 meters, it guarantees excellent rear visibility. Moreover, OZZ WR1 is equipped with adjustable mounts for easy installation, making it an optimal choice for all types of vehicles. The certifications for this product include ECER10, R148 (R23).

<b>Art. no.</b>	88502
<b>Lamp type</b>	LED
<b>Diodes</b>	4 pcs
<b>Voltage</b>	10-32V DC
<b>Actual effect 12V</b>	36 W
<b>Actual effect 24V</b>	36 W
<b>Nominal current at 12 V</b>	3 A
<b>Nominal current at 24 V</b>	1,5 A
<b>Theoretical lumen (Lm)</b>	3600
<b>Actual lumen</b>	2220
<b>1 lux @</b>	95 m
<b>Kelvin (K)</b>	5000
<b>IP-class</b>	IP68/69K
<b>Beam pattern</b>	Flood
<b>Position light</b>	No
<b>Warning light</b>	No
<b>Connection</b>	2-pin DT
<b>Cable lenght (mm)</b>	800
<b>Material chassi, lens</b>	aluminum, polycarbonate
<b>Lenght, depth, height (mm)</b>	164, 70/74, 45/60
<b>Operating temperature</b>	-40 - +60°C
<b>E-mark approval</b>	R148 (R23)
<b>EMC</b>	ECE R10
<b>Weight (kg)</b>	0,5
<b>Warranty</b>	3 years



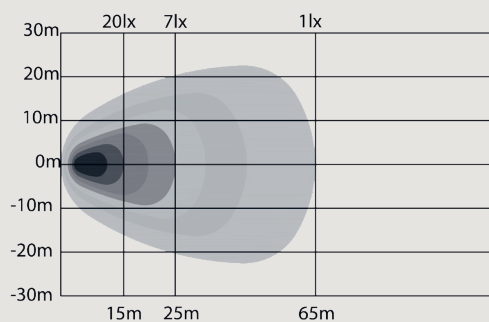
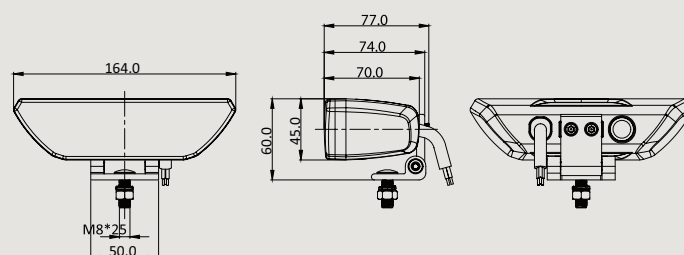




## OZZ WR1 65

Discover the OZZ WR1 65 reversing light with integrated warning light. The lamp is ECE R23 approved as a reversing light, and the integrated warning light is certified according to ECE R65 class 1 & 2. The reversing light, combined with the powerful integrated warning light, enhances your vehicle's safety in all situations. Designed to harmonize with OZZ's other lighting range, the OZZ WR1 65 has a modern aesthetic that complements your vehicle. With 2700 lumens and 1 lux at a range of 65 meters, it guarantees excellent rear visibility. Moreover, OZZ WR1 65 is equipped with adjustable mounts for easy installation, making it an optimal choice for all types of vehicles. The certifications for this product include ECE R10, R148 (R23), and R65 Class 1 and 2.

<b>Art. no.</b>	88501
<b>Lamp type</b>	LED
<b>Diodes</b>	4 pcs
<b>Voltage</b>	10-32V DC
<b>Actual effect 12V</b>	36W
<b>Actual effect 24V</b>	36W
<b>Nominal current at 12V</b>	3 A
<b>Nominal current at 24V</b>	1,5A
<b>Theoretical lumen (Lm)</b>	3600
<b>Actual lumen</b>	2700
<b>1 lux @</b>	65 m
<b>Kelvin (K)</b>	5000
<b>IP-class</b>	IP68/69K
<b>Beam pattern</b>	Flood
<b>Position light</b>	No
<b>Warning light</b>	Yes, amber
<b>Connection</b>	4-pin DT
<b>Cable lenght (mm)</b>	800
<b>Material chassi, lens</b>	aluminum, polycarbonate
<b>Lenght, depth, height (mm)</b>	164, 70/74, 45/60
<b>Operating temperature</b>	-40 - +60°C
<b>E-mark approval</b>	R148 (R23), R65 Class 1 and 2
<b>EMC</b>	ECE R10
<b>Weight (kg)</b>	0,56
<b>Warranty</b>	3 years



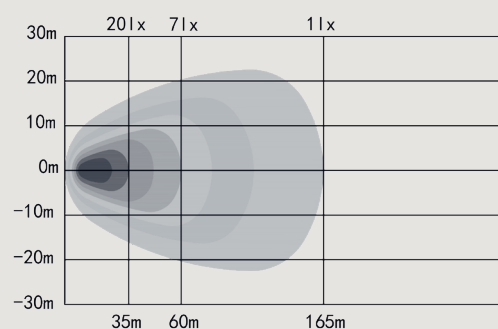
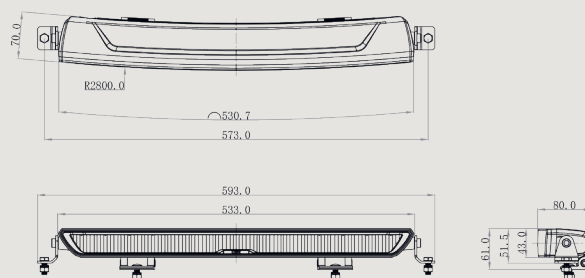
**NEW!**



## OZZ WB1

OZZ WB1 is a high-performance LED light bar designed to enhance both safety and style. It seamlessly integrates with OZZ's lighting range, complementing any vehicle's aesthetic. Featuring 28 LED diodes, the OZZ WB1 delivers an impressive 14140 lumen, with a flood beam and reach of 165 meters. Built with robust aluminum and polycarbonate, the OZZ WB1 has an IP68/IP69K rating for superior dust and water resistance. OZZ WB1 is certified with ECE R10 and comes with a 3-year warranty.

<b>Art.no.</b>	88504
<b>Lamp type</b>	LED
<b>Diodes</b>	28 pcs
<b>Voltage</b>	10-32V DC
<b>Actual effect 12V</b>	196W
<b>Actual effect 24V</b>	200W
<b>Nominal current at 12 V</b>	16,3 A
<b>Nominal current at 24 V</b>	8,3 A
<b>Theoretical lumen</b>	16800
<b>Actual lumen</b>	14140
<b>1 lux @</b>	165 m
<b>Kelvin (K)</b>	5000
<b>IP-class</b>	IP68/IP69K
<b>Beam pattern</b>	Flood
<b>Position light</b>	No
<b>Warning light</b>	No
<b>Connection</b>	2-pin DT male+female
<b>Cable lenght (mm)</b>	1000 (800+200)
<b>Material chassi, lens</b>	Aluminum, polycarbonate
<b>Lenght, depth, height (mm)</b>	530,7/533x70/80x43
<b>Operating temperature</b>	-40 - +60°C
<b>E-mark approval</b>	No
<b>EMC</b>	ECE R10
<b>Weight (kg)</b>	1,5
<b>Warranty</b>	3 years





**COMING  
SOON!**



## **OZZ WB1 65**

**Art. no.** 88505

Are you tired of dim, shadowy workspaces? Look no further! Our 20 inch work light bar is designed to illuminate your projects with exceptional brightness and clarity. The powerful integrated warning light, enhances your vehicle's safety in all situations. Launching autumn 2024.

---





E-TRANS

DENNE STRANDA

0ZZ

371  
5











# OZZ Lens Covers

---

OZZ lens covers are available for both round and oval driving lights. Choose from transparent or clear yellow options to suit your lighting needs. For a stylish touch, our lens covers also come in black or white, featuring masks that allow the dynamic position light to shine through. Enhance and protect your OZZ driving lights with these durable lens covers.

- 88901** Yellow Lens Cover for OZZ 9"
- 88902** Yellow Lens Cover for OZZ 7"
- 88903** Yellow Lens Cover for OZZ Oval
- 88904** Transparent Lens Cover for OZZ 9"
- 88905** Transparent Lens Cover for OZZ 7"
- 88906** Transparent Lens Cover for OZZ Oval
- 88907** Black Lens Cover for OZZ 9"
- 88908** Black Lens Cover for OZZ 7"
- 88909** Black Lens Cover for OZZ Oval
- 88918** White Lens Cover for OZZ 9"
- 88919** White Lens Cover for OZZ 7"
- 88920** White Lens Cover for OZZ Oval

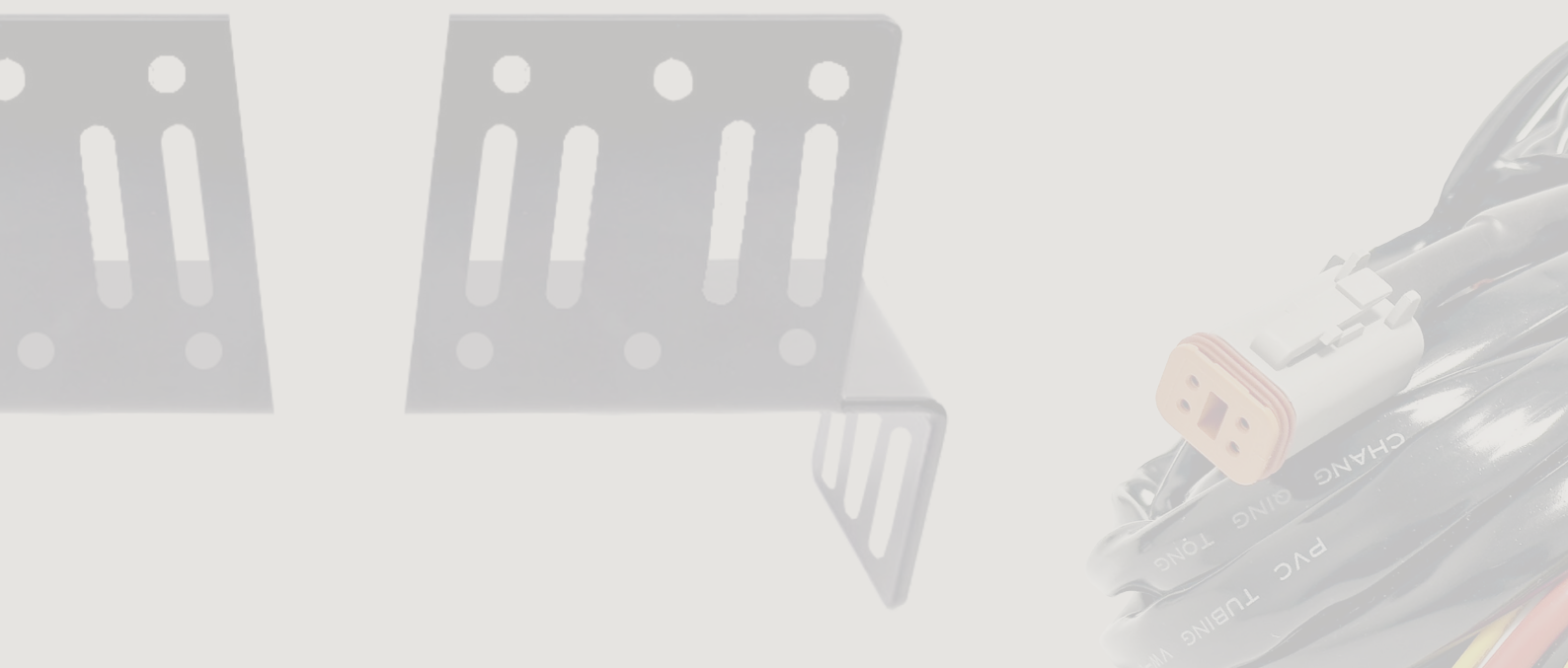


# OZZ Cables & Mounts

---

Enhance your lighting setup with our range of high-quality cables and mounts. Our cables are designed for durability and reliable performance, ensuring a secure connection for your OZZ driving lights. For flexible installation, we offer robust mounts that cater to various mounting needs. Choose our top-grade accessories to ensure optimal functionality and longevity of your OZZ lighting solutions.

<b>88911</b>	Cable Kit 1x 2-pin DT	12V, 40A relay, 30A fuse. XBB-compatible. Maximum load 160W with DT connector.
<b>88931</b>	Cable kit 1 x 3-pin DT	12V, 80A relay, 60A fuse. XBB-compatible. Maximum load 156W with DT connector.
<b>88932</b>	Cable kit 2x 3-pin DT	12V, 80A relay, 60A fuse. XBB-compatible. Maximum load 2x 156W with DT connector.
<b>88916</b>	Cable kit 1x 4-pin DT	12V, 80A relay, 20A fuse. XBB-compatible. Maximum load 160W with DT connector.
<b>88917</b>	Cable kit 2x 4-pin DT	12V, 80A relay, 30A fuse. XBB-compatible. Maximum load 2x 160W with DT connector.
<b>88910</b>	Cable Kit 4x 4-pin DT	12V, 80A relay, 60A fuse. XBB-compatible. Maximum load 4x 160W with DT connector.
<b>88926</b>	Cable kit 2x 6-pin DT	12V, 80A relay, 60A fuse. XBB-compatible. Maximum load 2x 360W with DT connector.
<b>88927</b>	Cable kit 3x 6-pin DT	12V, 80A relay, 60A fuse. XBB-compatible. Maximum load 3x 240W with DT connector.
<b>88913</b>	Adapter Cable 3-2 DT	20 cm, 2 wires 1 m
<b>88912</b>	Adapter Cable 4-2 DT	20 cm, 2 wires 1 m
<b>88928</b>	Adapter Cable 6-2 DT	20 cm, 4 wires 1.5 m
<b>88929</b>	DT-split 3-pin DT	1x DT3 to 2x DT3
<b>88914</b>	Stabilizer, Black	Black. Adjustable between 125-225 mm, width 17 mm.
<b>88915</b>	Stabilizer, White	Black. Adjustable between 125-225 mm, width 17 mm.
<b>88923</b>	Mount for 2 x Driving Lights	2 brackets x 50 mm, mounting plate 85x390 mm, cc distance: 350 mm
<b>88924</b>	Mount for 3 x Driving Lights	3 brackets x 50 mm, mounting plate 85x510 mm, cc between the outer brackets: 465 mm
<b>88930</b>	Mount for 4 x 7" Driving Lights	Mounting plate 635x90 mm, cc: 195 mm
<b>88925</b>	Mount for 4 x 9" or Oval	Mounting plate 800x90 mm, cc: 250 mm
<b>88922</b>	Mount for Light Bars	Two-piece bracket for easy and adjustable installation.
<b>88921</b>	Crash Bar Mount for Light Bars	Versatile bracket for secure mounting.











*JH* Entreprenad & Transport AB

**GÖTEBORG**

**VOLVO**

WAH 705



# OZZ Store & Display Concept

---

At OZZ we want to make you look great, we have available options for display in your store or on your fair but we're also in the process of designing new solutions.

Please contact us for further information at [hello@ozzlights.com](mailto:hello@ozzlights.com) and we'll tell you all about our display options.



Where performance meets design.



**OZZ**lights.com

Follow OZZlights

