

### THANK YOU FOR PURCHASING OUR PRODUCTS FOR YOUR VEHICLE

Please read through all of these Instructions before proceeding with the installation. We do our best to provide a simple installation process for all applications however a professional installation is always recommended.

#### 1. Utility Range

Most demanding work environments, including material handling, construction, agricultural, forestry, mining and the off road equipment and truck application.

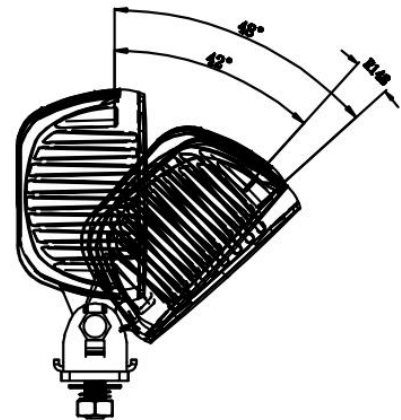
#### 2. Installation

- Firstly, verify all the components and accessories involved in the package.
- Testing lamp whether it is on work before installation.  
Blue wire: Red position light  
Yellow wire: Amber position light  
White wire: White position light  
Red wire: + Positive Black wire: - Negative
- Bracket mounting way Refer to drawing as below.
- Connect power line to the corresponding power connector. Ensuring polarity is correct.

#### 3. Notes

- Do not use if the lamp housing and lens is broken when new product takes out of the package.
- Must power off when installing.

Mounting for reverse lamp



Mounting instructions for ECE R148

